

E900 EURO & SWISS BLIND

ASSA ABLOY



Premium escutcheon blind
Euro/Swiss Profile

Product description

- Access decision is made by the AAperio® escutcheon based on access data on card - access data are written on card via EAC system updater
- Can be used with all European (DIN) mortise locks - in wooden, steel and tubular-frame doors
- Main electronics (RFID + radio) outside - security-relevant electronics inside
- Outside handle rotates freely - inside handle always engaged
- LED for status visualisation

Scope of delivery

- 1 escutcheon with battery (Lithium CR123A) and installation instructions
- Screws, drilling template and tool (for inserting cables)

Technical data - Premium escutcheon blind



Approvals CE, EN179, EN1906, DIN18273



Dimension 312 x 41 x 10/20 mm (H x W x D)

Version Premium = Higher security version up to grade 3 (EN 1906) with approvals on fire (DIN18273), escape (EN179) route and security

Handle U-Shape

Surface Stainless steel brushed (ST)

Distance Spindle 9 mm; without distance

Door leaf thickness Door leaf between 35 and 95 mm thick, in 5 mm increments

Backset > 40 mm



Battery 1 x Lithium CR123A

Battery life 30 openings per day for 49 months



Radio standard IEEE 802.15.4 (2.4 GHz)

Encryption (radio communication) AES 128 bits



Class of protection IP 54

Operating temperature range -25°C to 60°C

Relative humidity < 85% (condensation-free)



Status LED (red/green/orange)



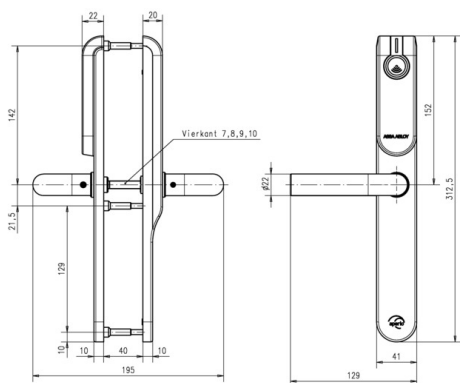
RFID Technologies (Based on reader type) MIFARE Classic® / MIFARE® DESFire® EV1

RFID reading UID / Sektor / Block / Application / File

RFID Reading range < 4 cm



OSS Standard Offline Optional available (MIFARE® DESFire®, LEGIC® Advant)



MIFARE™
CLASSIC® / DESFire™